

FLASHFREE FENCE 1 - 12"x18"

FOR NEW CONSTRUCTION
USED ON: ASPHALT SHINGLES, SIMULATED SLATE, & SIMULATED SHAKE

DESCRIPTION

- Overall dimensions: 18" L X 12" W X 3.87" H
- Designed for 1.0" OD tube
- Designed for asphalt shingles, simulated slate, & simulated shake
- Ice Flags (recommended)

MATERIALS - BRACKET

- Steel: 3/16" (ASTM A36) w/ Galvanized Steel **Baseplate**
- Stainless Steel: 3/16" (ASTM A240) w/ Stainless Steel **Baseplate**
- Copper: 1/4" (ASTM B125) w/ Stainless Steel **Baseplate**

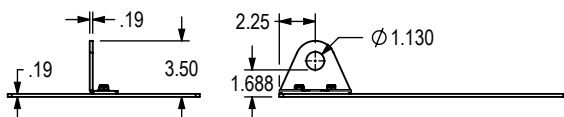
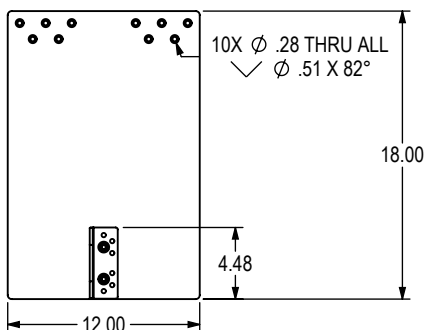
MATERIALS - BASEPLATE

- Galvanized Steel: 10 ga. (ASTM A1011 & A880) w/ Steel **Bracket**
- Stainless Steel: 10 ga. (ASTM A240) w/ Copper, or Stainless Steel **Bracket**

COLORS/FINISHES

- Zinc Plated Steel
- Powder coating available in many colors visit <http://trasnowandsun.com/color-chart/> to see color chart
- Mill Finish Copper
- Stainless Steel

NOTE: Due to specific job conditions, TRA Snow and Sun will only warranty a snow retention system/layout that has been designed by TRA Snow and Sun.



DIMENSIONS
DO NOT SCALE

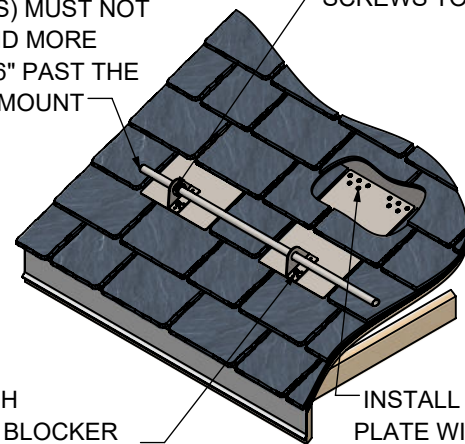


1 TUBE SNOW FENCE SYSTEM

PLACE COLLAR(S) INSIDE OF THE MOUNT AT THE END OF EACH FENCE SECTION. TORQUE SET

TUBE(S) MUST NOT EXTEND MORE THAN 6" PAST THE FINAL MOUNT

SCREWS TO 5 lb-ft



ATTACH SNOW BLOCKER AND TORQUE THE 5/16" NUTS TO 15 lb-ft

INSTALL BASE PLATE WITH 10 #14 X 1.5" LONG FLAT HEAD SCREWS

INSTALLATION INSTRUCTIONS:

Baseplate Installation:

- 1- Place baseplate on top of roof material and align with the downslope edge of the baseplate with the downslope edge of the roof material.
- 2- Install the baseplate by fastening to the roof deck with eight #14 screws.
- 3- Continue installing roof material around and over the baseplate.

Bracket Installation:

- 1- Install deck mount bracket over the two threaded bolts on the baseplate to 15ft-lbs of torque.
- 2- Install two lock nuts on the threaded deck mount bolts.
- 3- Install Tubes, Unions, Ice Flags, End Caps, and End Collars (refer to Tube-Style Installation Instructions).

We recommend sealing all roofing penetrations.