

FLASHFREE FENCE 1 - 8"x12"

FOR NEW CONSTRUCTION USED ON: ASPHALT SHINGLES, SIMULATED SLATE, & SIMULATED SHAKE

DESCRIPTION

- Overall dimensions: 12" L X 8" W X 5.50" H
- Designed for 1.0" OD tube
- Designed for asphalt shingles, simulated slate, & simulated shake
- Ice Flags (recommended)

MATERIALS - BRACKET

- Steel: 3/16" (ASTM A36) w/ Galvanized Steel **Baseplate**
- Stainless Steel: 3/16" (ASTM A240) w/ Stainless Steel **Baseplate**
- Copper: 1/4" (ASTM B125) w/ Stainless Steel **Baseplate**

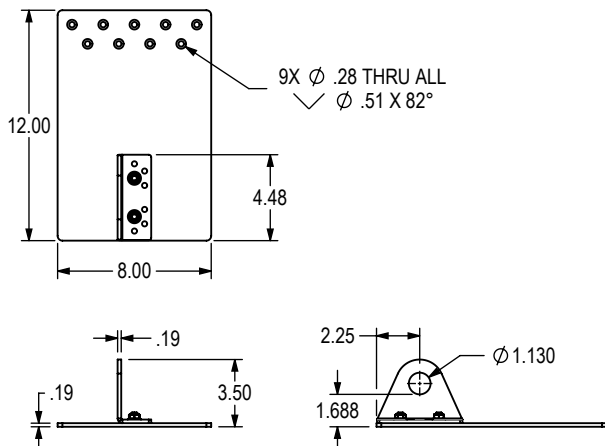
MATERIALS - BASEPLATE

- Galvanized Steel: 10 ga. (ASTM A1011 & A880) w/ Steel **Bracket**
- Stainless Steel: 10 ga. (ASTM A240) w/ Copper, or Stainless Steel **Bracket**

COLORS/FINISHES

- Zinc Plated Steel
- Powder coating available in many colors visit <http://trasnowandsun.com/color-chart/> to see color chart
- Mill Finish Copper
- Stainless Steel

NOTE: Due to specific job conditions, TRA Snow and Sun will only warranty a snow retention system/layout that has been designed by TRA Snow and Sun.



DIMENSIONS
DO NOT SCALE



1 TUBE SNOW FENCE SYSTEM

PLACE COLLAR(S) INSIDE OF THE MOUNT AT THE END OF EACH FENCE SECTION. TORQUE SET SCREWS TO 5 lb-ft

TUBE(S) MUST NOT EXTEND MORE THAN 6" PAST THE FINAL MOUNT

ATTACH SNOW BLOCKER AND TORQUE THE 5/16" NUTS TO 15 lb-ft

INSTALL BASE PLATE WITH 9 #14 X 1.5" LONG FLAT HEAD SCREWS

INSTALLATION INSTRUCTIONS:

Baseplate Installation:

- 1- Place baseplate on top of roof material and align with the downslope edge of the baseplate with the downslope edge of the roof material.
- 2- Install the baseplate by fastening to the roof deck with eight #14 screws.
- 3- Continue installing roof material around and over the baseplate.

Bracket Installation:

- 1- Install deck mount bracket over the two threaded bolts on the baseplate to 15ft-lbs of torque.
- 2- Install two lock nuts on the threaded deck mount bolts.
- 3- Install Tubes, Unions, Ice Flags, End Caps, and End Collars (refer to Tube-Style Installation Instructions).

We recommend sealing all roofing penetrations.

SNOW RETENTION SYSTEMS