



## FLASHFREE FENCE 1 - 8"x18"

### FOR NEW CONSTRUCTION

**USED ON: ASPHALT SHINGLES, SIMULATED SLATE, SIMULATED SHAKE, & WOOD SHAKE**

#### DESCRIPTION

- Overall dimensions: 18" L X 8" W X 3.99" H
- Designed for 1.0" OD tube
- Designed for asphalt shingles, simulated slate, slate, simulated shake, & wood shake
- Ice Flags (recommended)

#### MATERIALS - BRACKET

- Steel: 3/16" (ASTM A36) w/ Galvanized Steel **Baseplate**
- Stainless Steel: 3/16" (ASTM A240) w/ Stainless Steel **Baseplate**
- Copper: 1/4" (ASTM B125) w/ Stainless Steel **Baseplate**

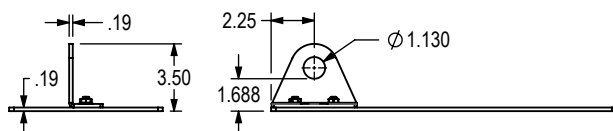
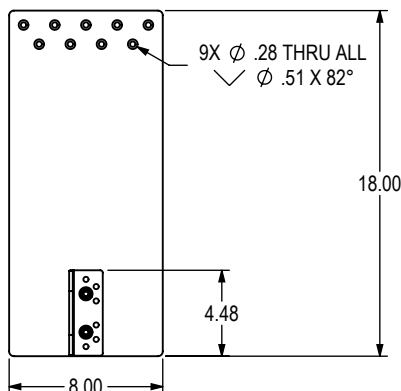
#### MATERIALS - BASEPLATE

- Galvanized Steel: 10 ga. (ASTM A1011 & A880) w/ Steel **Bracket**
- Stainless Steel: 10 ga. (ASTM A240) w/ Copper, or Stainless Steel **Bracket**

#### COLORS/FINISHES

- Zinc Plated Steel
- Powder coating available in many colors visit <http://trasnowandsun.com/color-chart/> to see color chart
- Mill Finish Copper
- Stainless Steel

**NOTE:** Due to specific job conditions, TRA Snow and Sun will only warranty a snow retention system/layout that has been designed by TRA Snow and Sun.



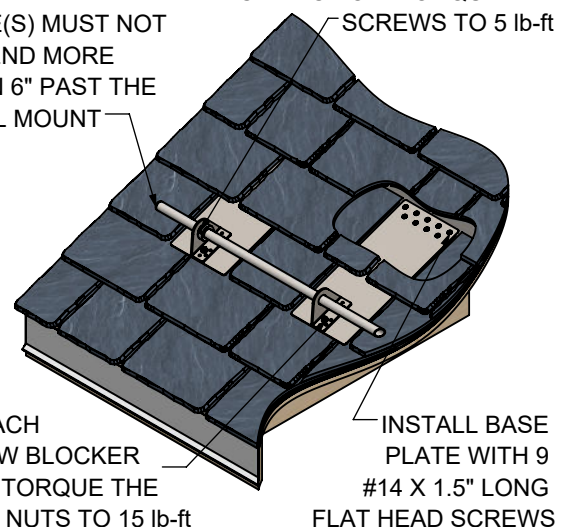
**DIMENSIONS**  
DO NOT SCALE



### 1 TUBE SNOW FENCE SYSTEM

PLACE COLLAR(S) INSIDE OF THE MOUNT AT THE END OF EACH FENCE SECTION. TORQUE SET

TUBE(S) MUST NOT EXTEND MORE THAN 6" PAST THE FINAL MOUNT



#### INSTALLATION INSTRUCTIONS:

##### Baseplate Installation:

- 1- Place baseplate on top of roof material and align with the downslope edge of the baseplate with the downslope edge of the roof material.
- 2- Install the baseplate by fastening to the roof deck with eight #14 screws.
- 3- Continue installing roof material around and over the baseplate.

##### Bracket Installation:

- 1- Install deck mount bracket over the two threaded bolts on the baseplate to 15ft-lbs of torque.
- 2- Install two lock nuts on the threaded deck mount bolts.
- 3- Install Tubes, Unions, Ice Flags, End Caps, and End Collars (refer to Tube-Style Installation Instructions).

*We recommend sealing all roofing penetrations.*

## SNOW RETENTION SYSTEMS